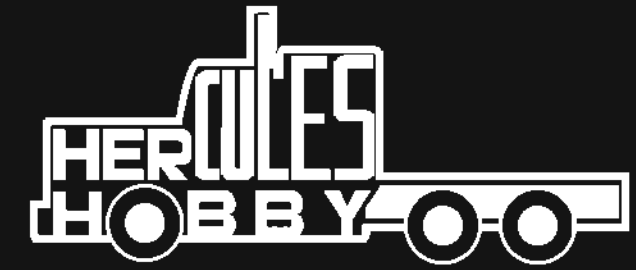
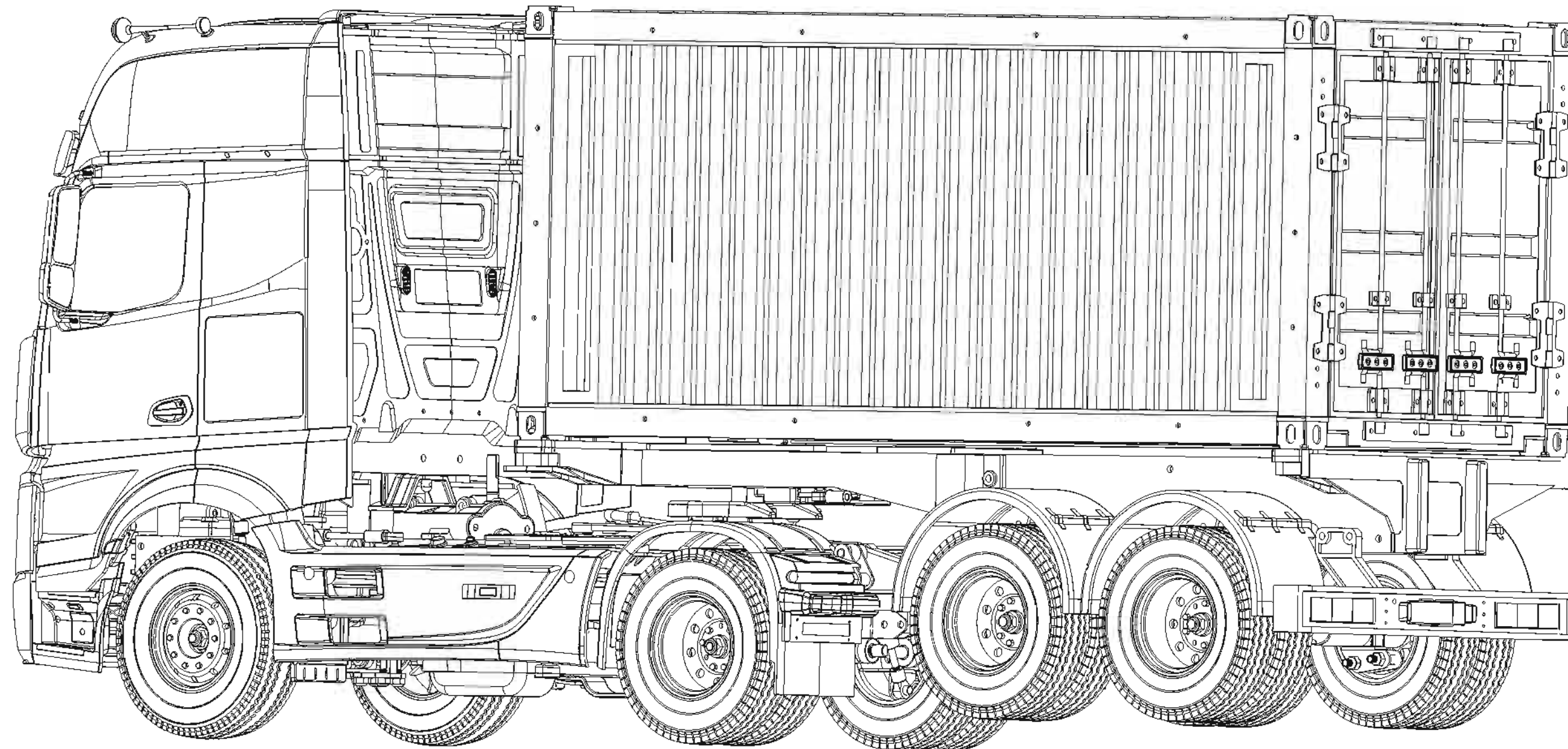
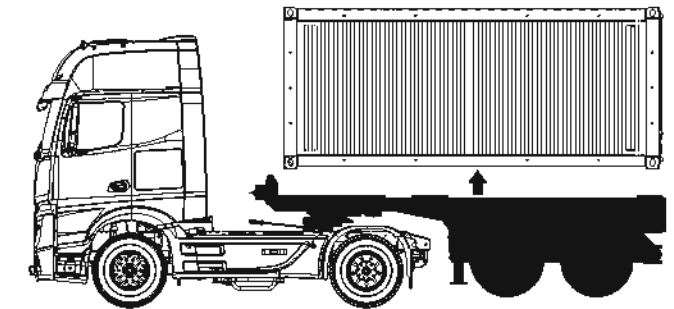


Instruction Manual

20-FOOT CONTAINER



**SEMI-TRAILER for
1/14 SCALE R/C TRACTOR TRUCK**





Cautions



*Never run R/C models on the street.
*Never run R/C models in a crowded area or near children.
*Do not run R/C models in a narrow space.



*Do not run in water or sand.
*Running R/C models in improper areas may result in an accident causing injury or property damage.

The proper R/C model operating procedures

*Always follow the steps below when start and finish operating:

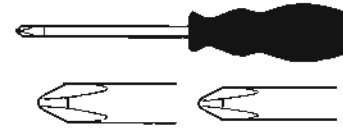
1. Make sure the wheels do not contact the ground before start operating.
2. Check the receiver switch at OFF position.
3. Connect battery pack.
4. Switch on transmitter.
5. Switch on receiver.

*Opposite sequence to finish operating:

1. Switch off receiver.
2. Switch off transmitter.
3. Disconnect battery pack.

Tools Need For Assembly

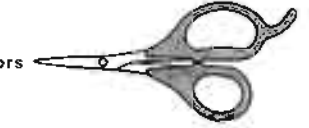
Screwdriver
(large, small)



Tweezers



scissors



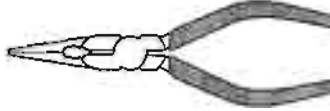
Modeling knife



Instant cement



Long nose pliers



Side cutters



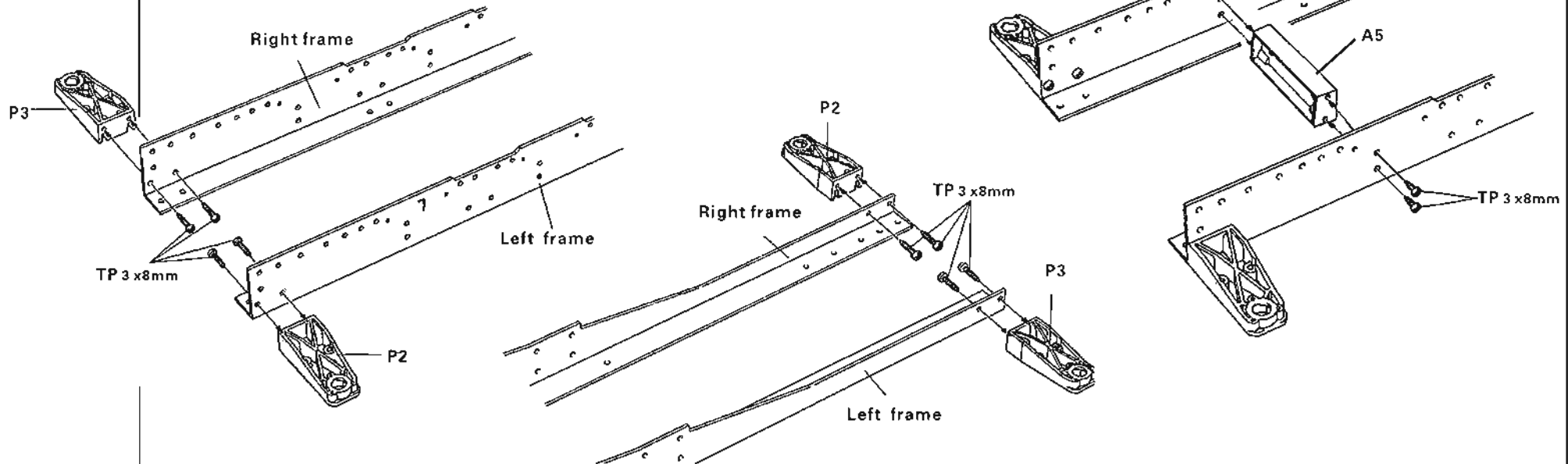
1

1 Chassis Frame Assembling



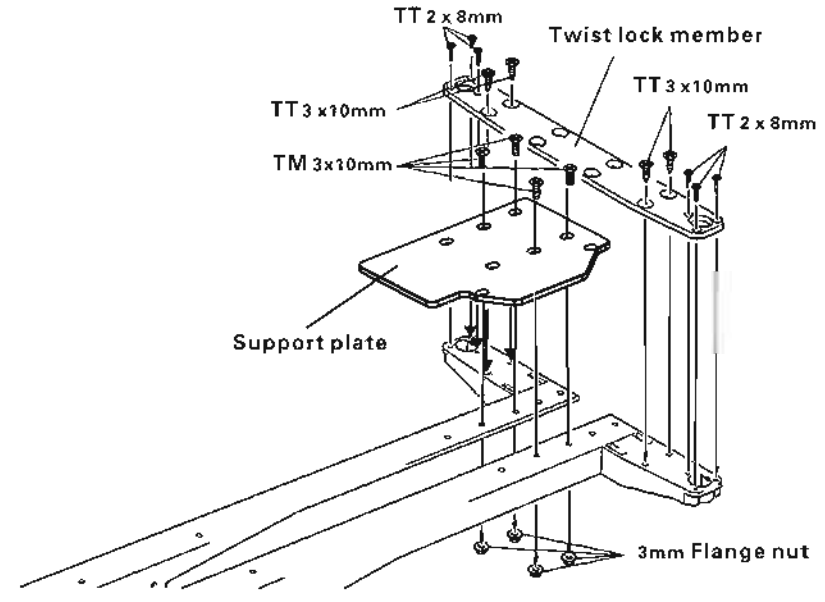
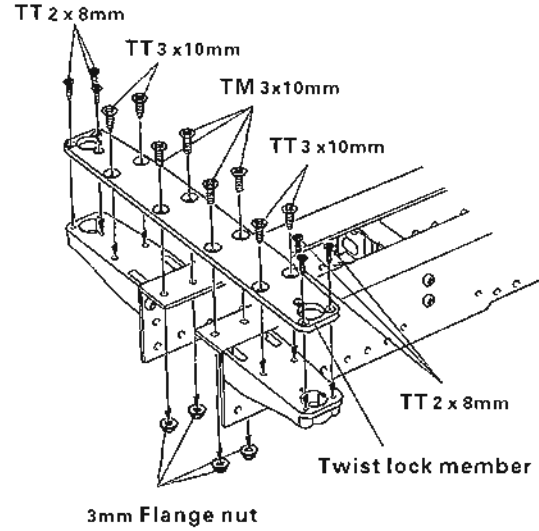
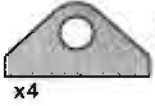
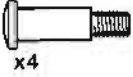
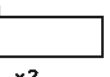
x12

TP 3 x 8mm
Tapping Screw

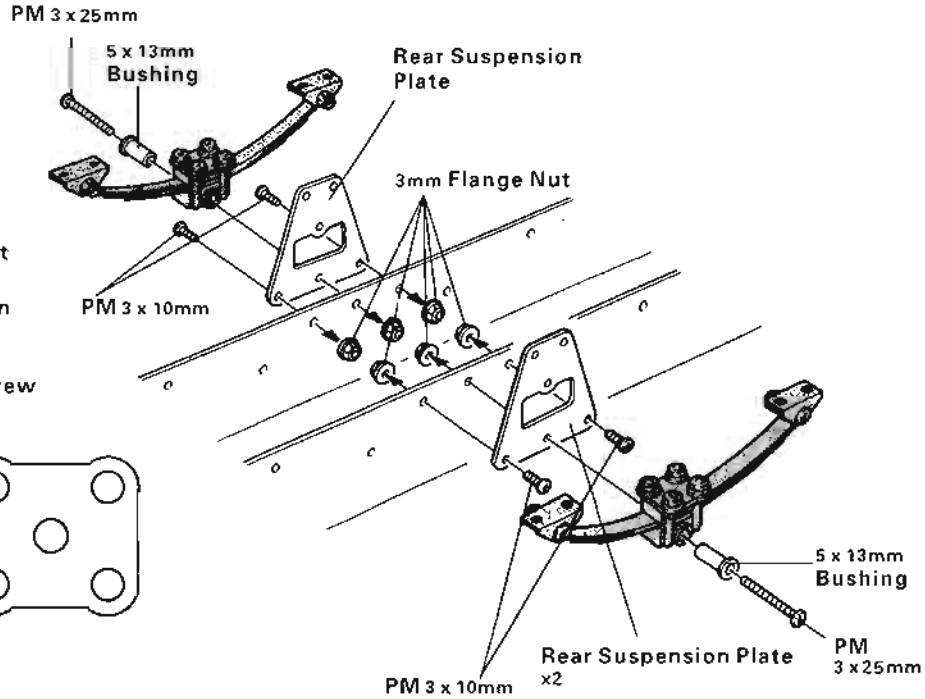
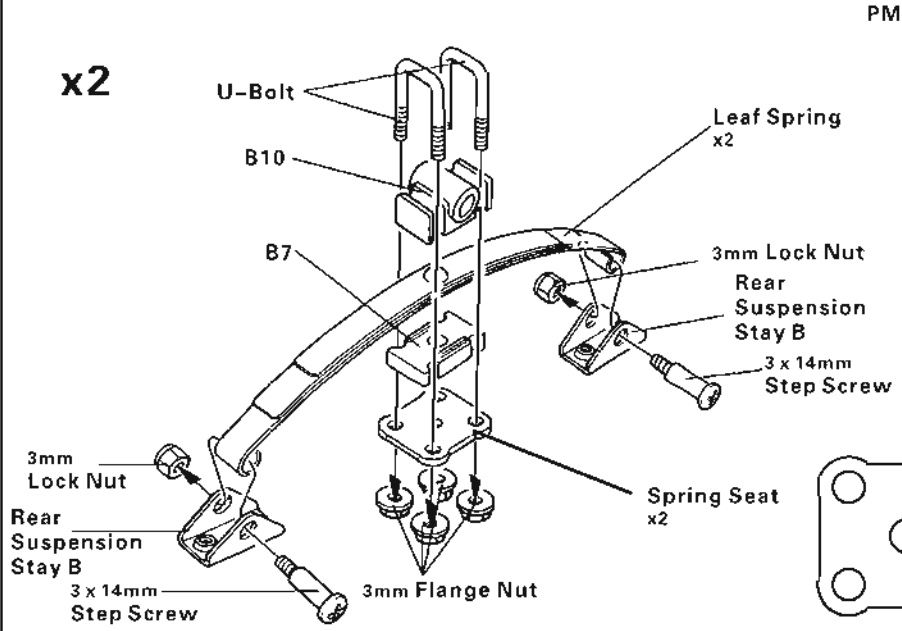


2TM 3x10mm
Screw
x8TT 3x10mm
Tapping Screw
x8TT 2x8mm
Tapping Screw
x123mm Flange nut
x8

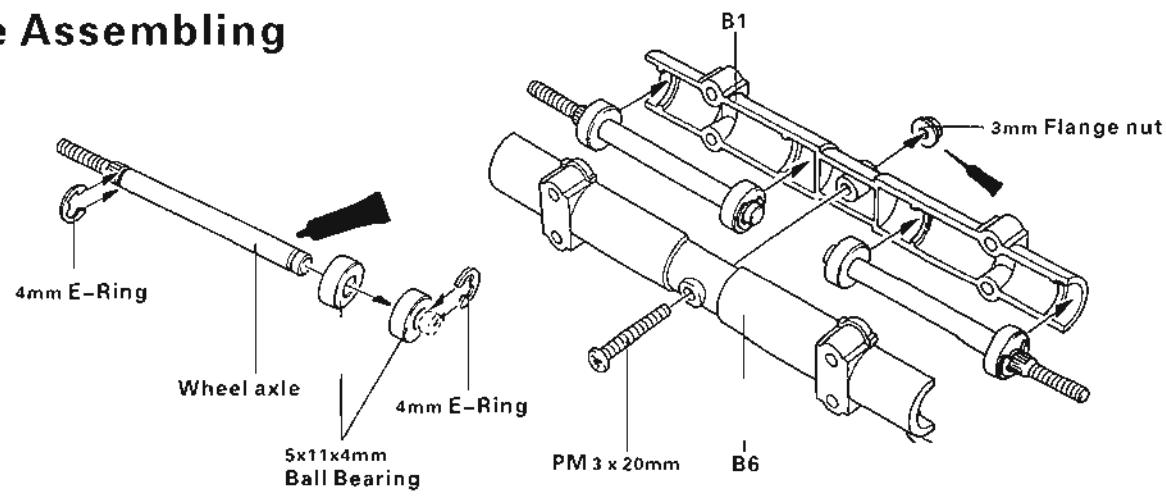
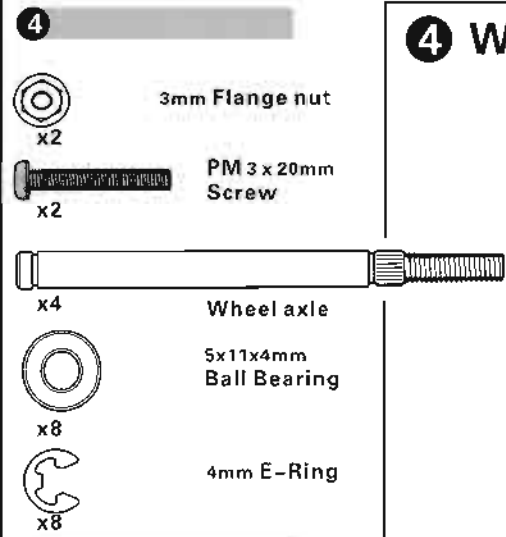
2 Attaching Twist Lock Member

**3**3mm Flange Nut
x143mm Lock Nut
x4U-Bolt
x4Rear Suspension
Stay B
x43 x 14mm
Step Screw
x4PM 3 x 10mm
Screw
x8PM 3 x 25mm Screw
x25 x 13mm
Bushing
x2

3 Attaching Leaf Spring and Suspension Plate

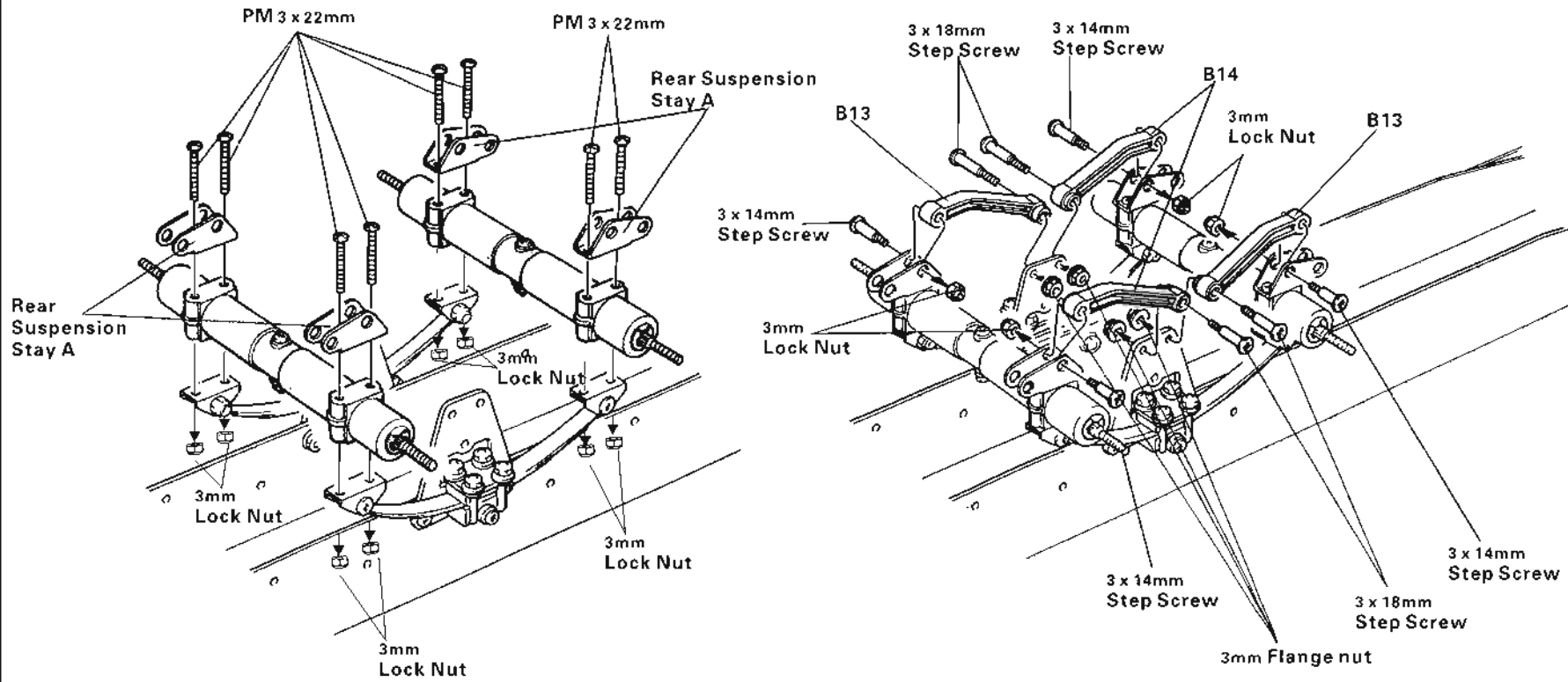
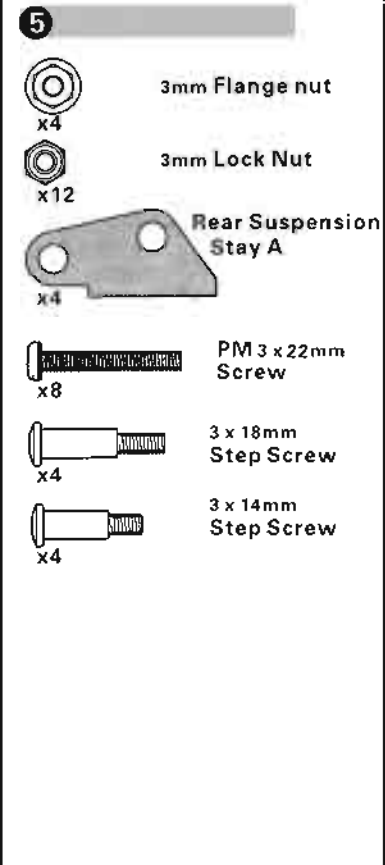


4 Wheel Axle Assembling



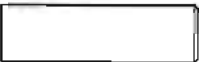
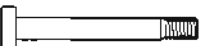







x2

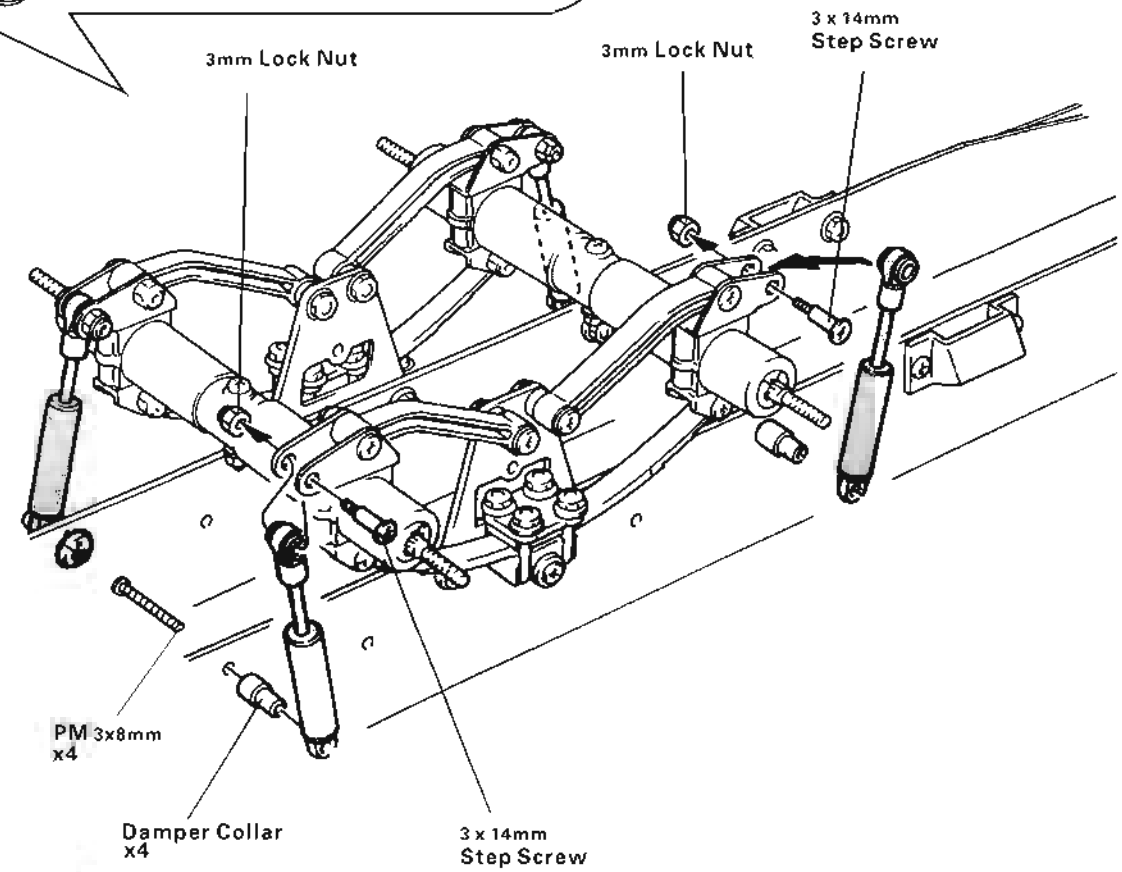
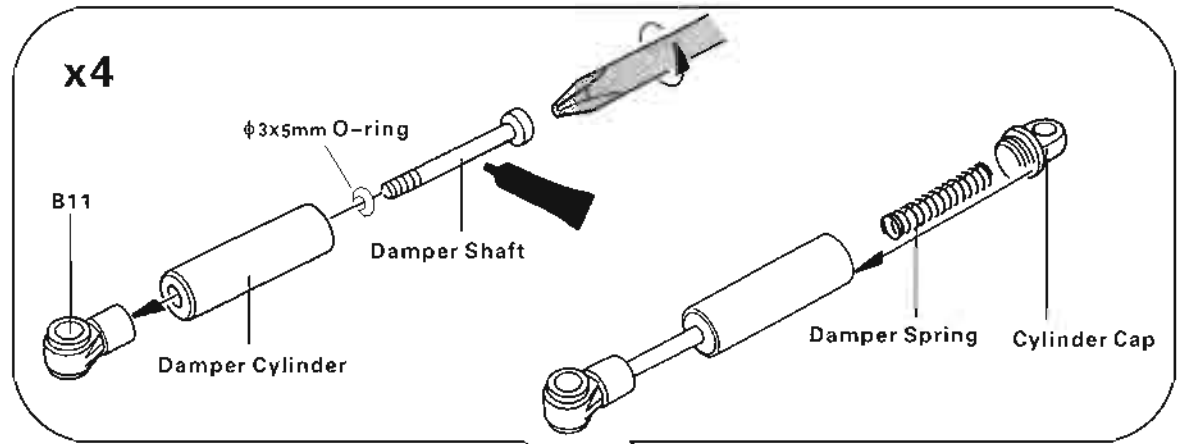
5 Attaching Wheel Axle



6

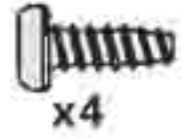
6 Attaching Damper

-  x4 Damper Cylinder
-  x4 Damper Shaft
-  x4 Damper Spring
-  x4 Cylinder Cap
-  x4 3mm Lock Nut
-  x4 PM 3x8mm Screw
-  x4 3 x 14mm Step Screw
-  x4 Damper Collar
-  x4 φ3x5mm O-ring

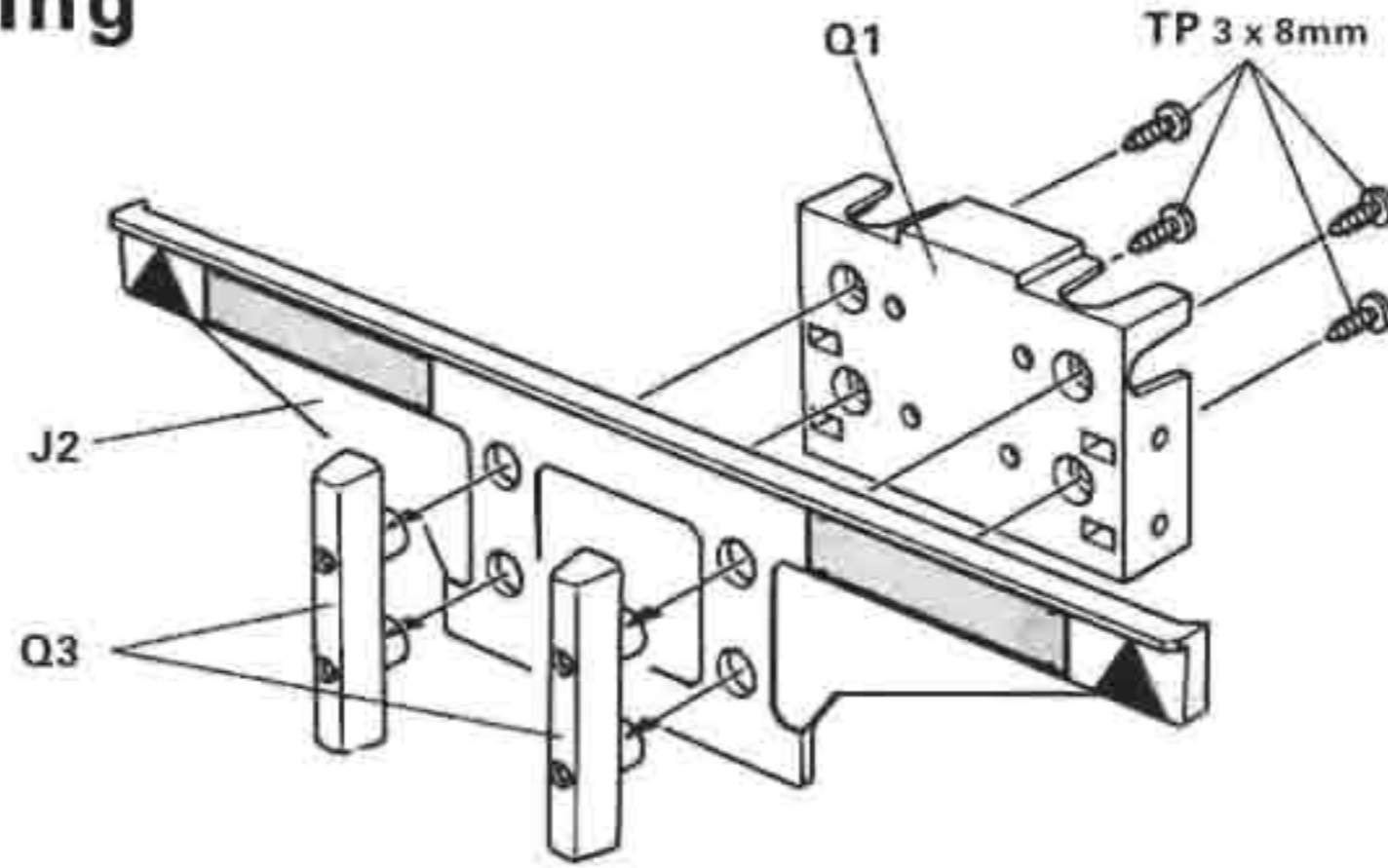


7

7 Bumper Assembling

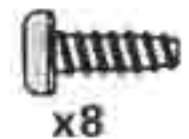


TP 3 x 8mm
Tapping Screw
x4



8

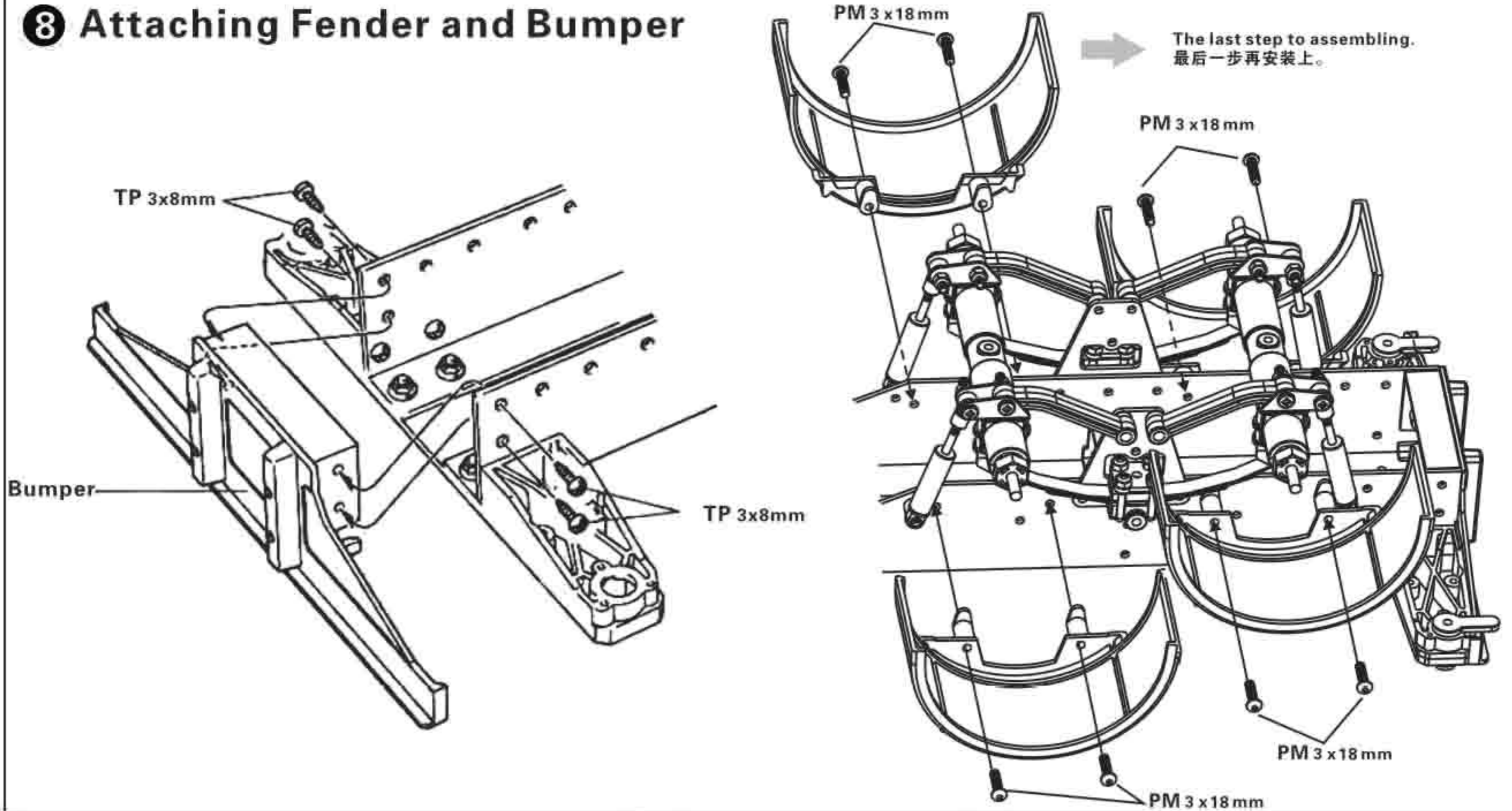
8 Attaching Fender and Bumper



TP 3x8mm
Screw
x8



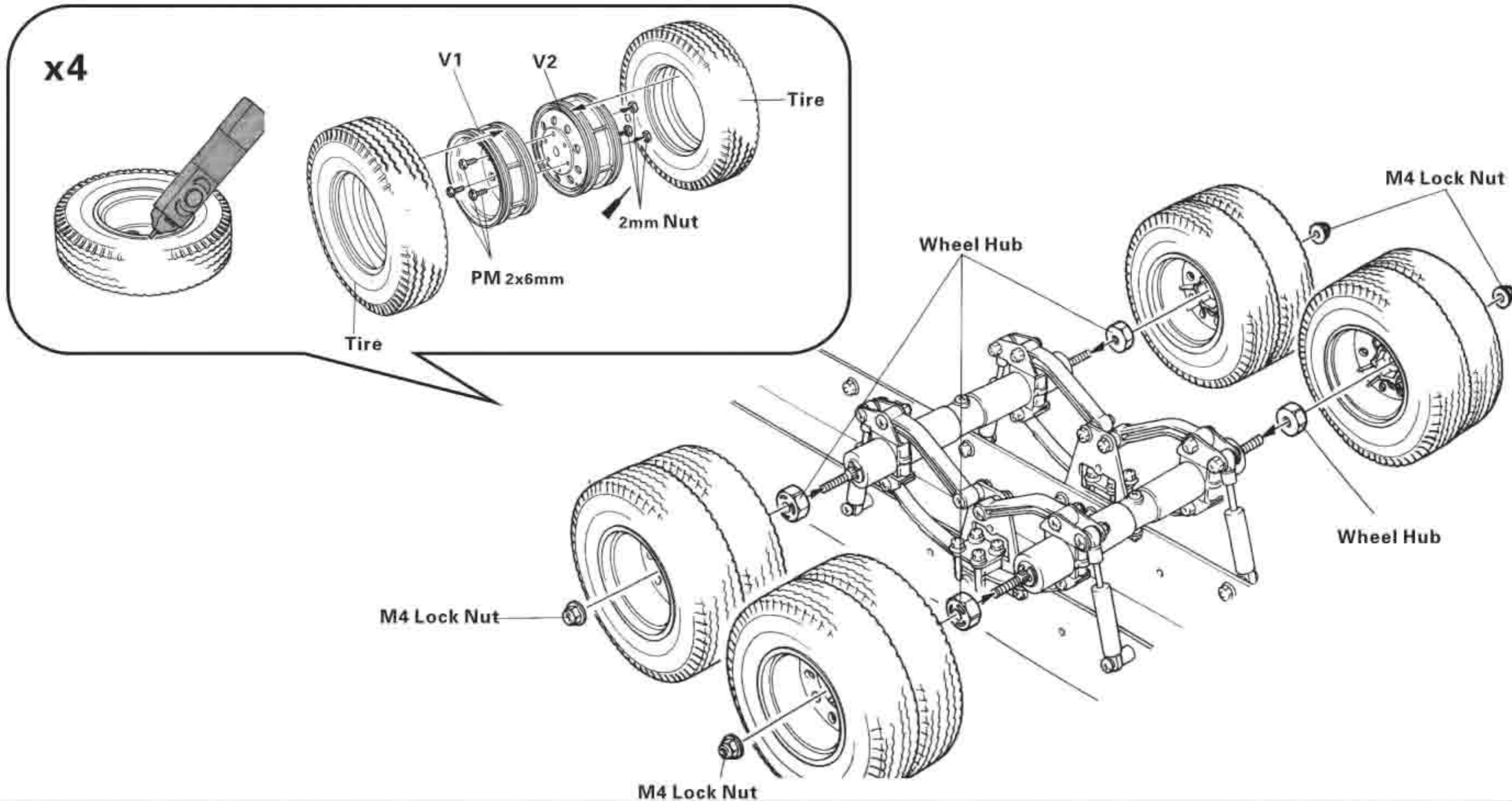
PM 3 x 18mm
Screw
x8



9






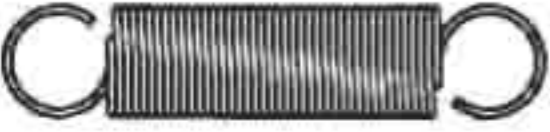
9 Attaching Wheels

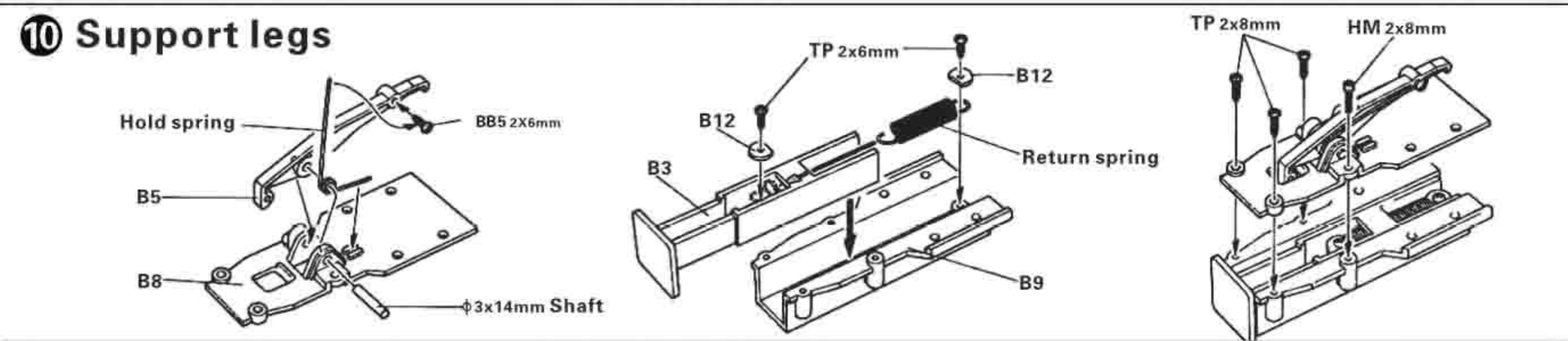
-  PM 2x6mm Screw
x12
-  2mm Nut
x12
-  M4 Lock Nut
x4
-  Wheel Hub
x4









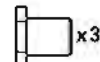

10

10 Support legs

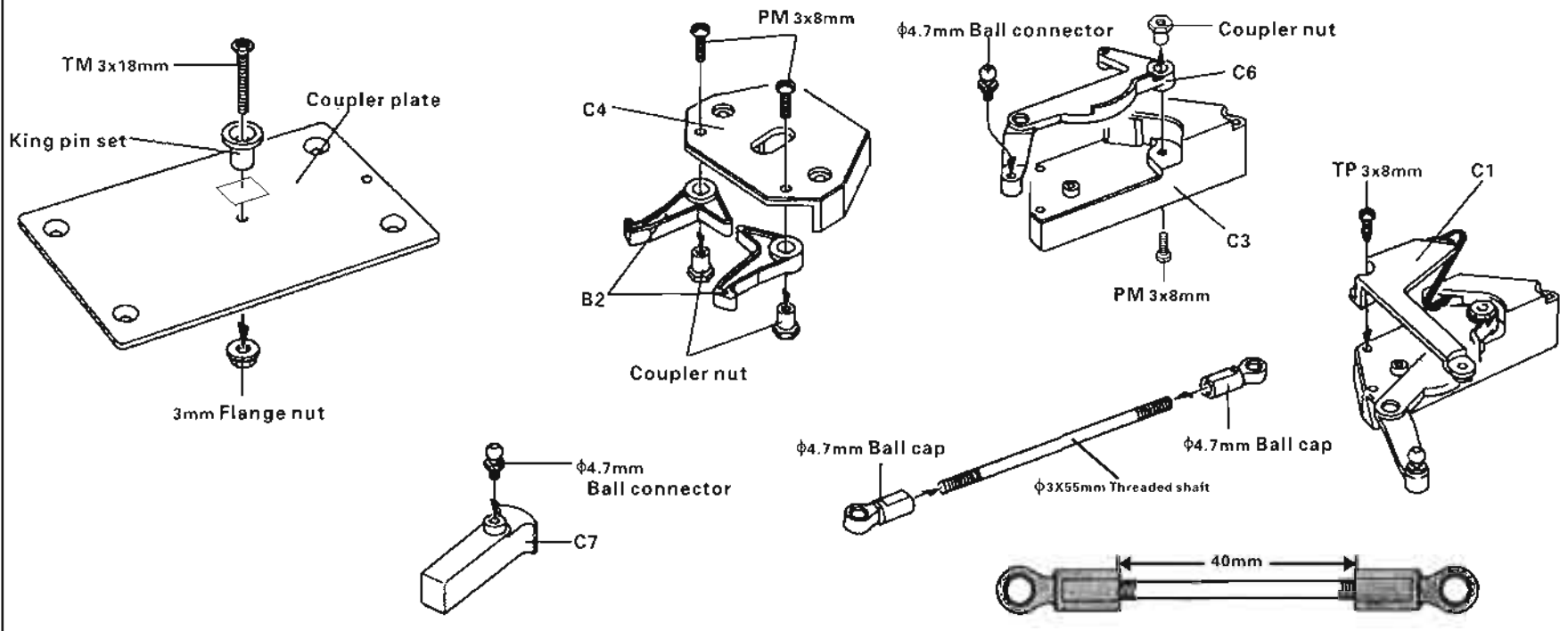
-  HM 2x8mm Screw
x2
-  TP 2x8mm Screw
x6
-  TP 2x6mm Screw
x6
-  φ3x14mm Shaft
x2
-  x2 Hold spring
-  x2 Return spring



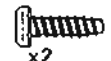

11

-  PM 3x8mm Screw x3
-  TM 3x18mm Screw x1
-  TP 3x8mm Screw x1
-  3mm Flange nut x1
-  $\phi 4.7\text{mm}$ Ball connector x2
-  King pin set x1
-  Coupler nut x3
-  $\phi 4.7\text{mm}$ Ball cap x2

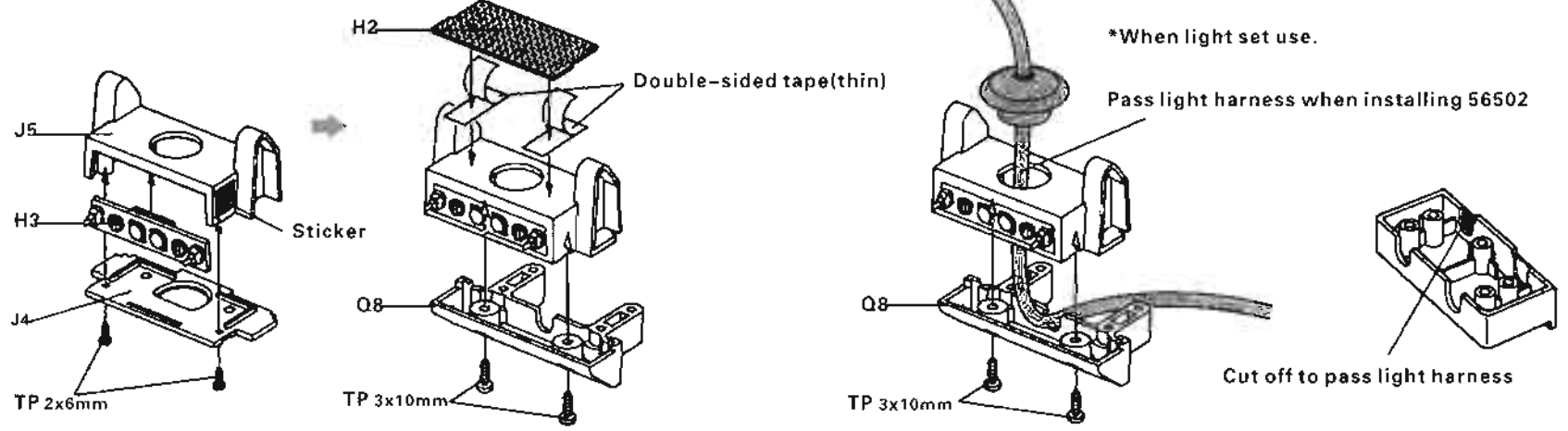
11 Coupler Plate Assembling












12

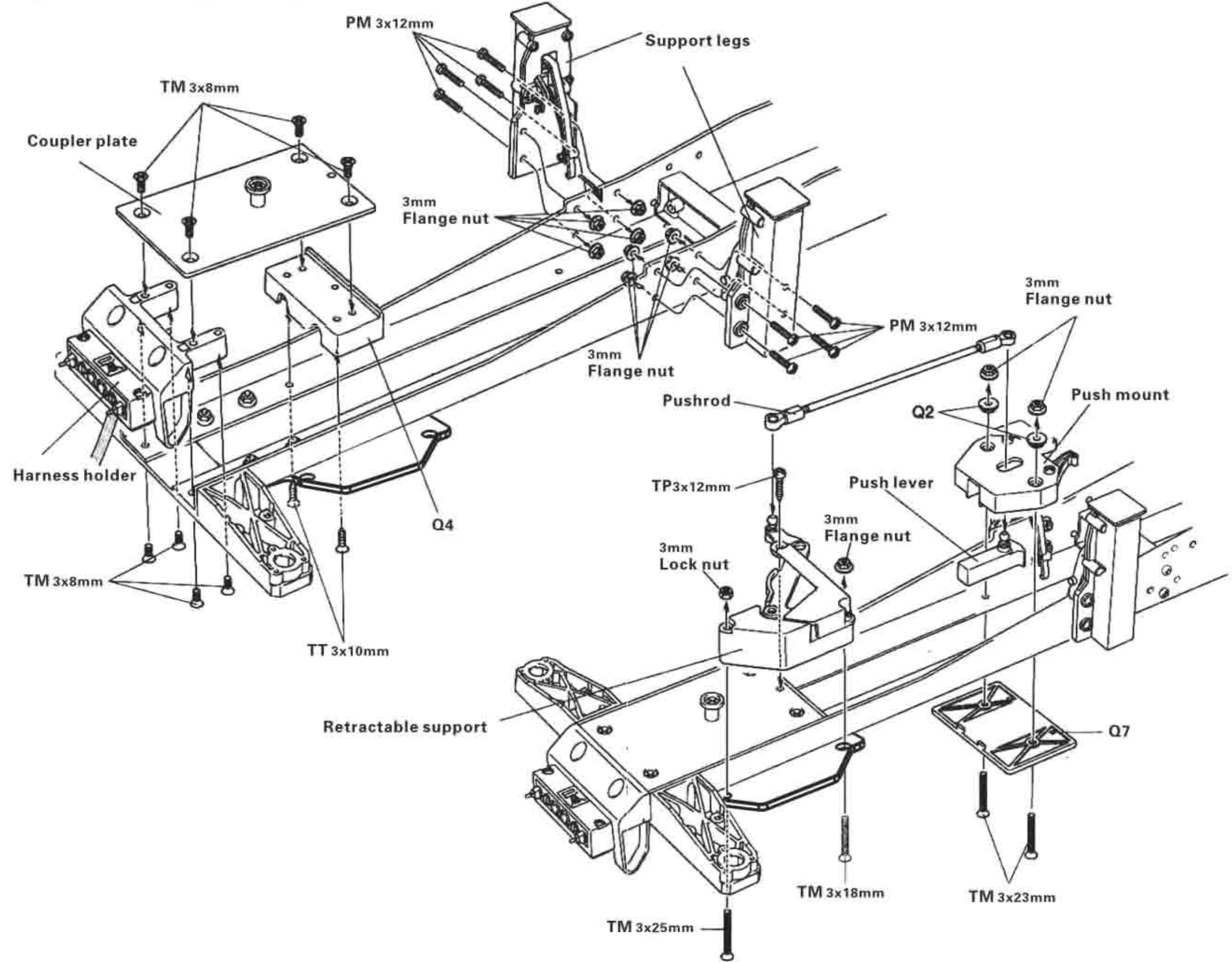
-  TP 3x10mm Screw x2
-  TP 2x6mm Screw x2

12 Harness Holder Assembling








13 Attaching Coupler and Harness Holder

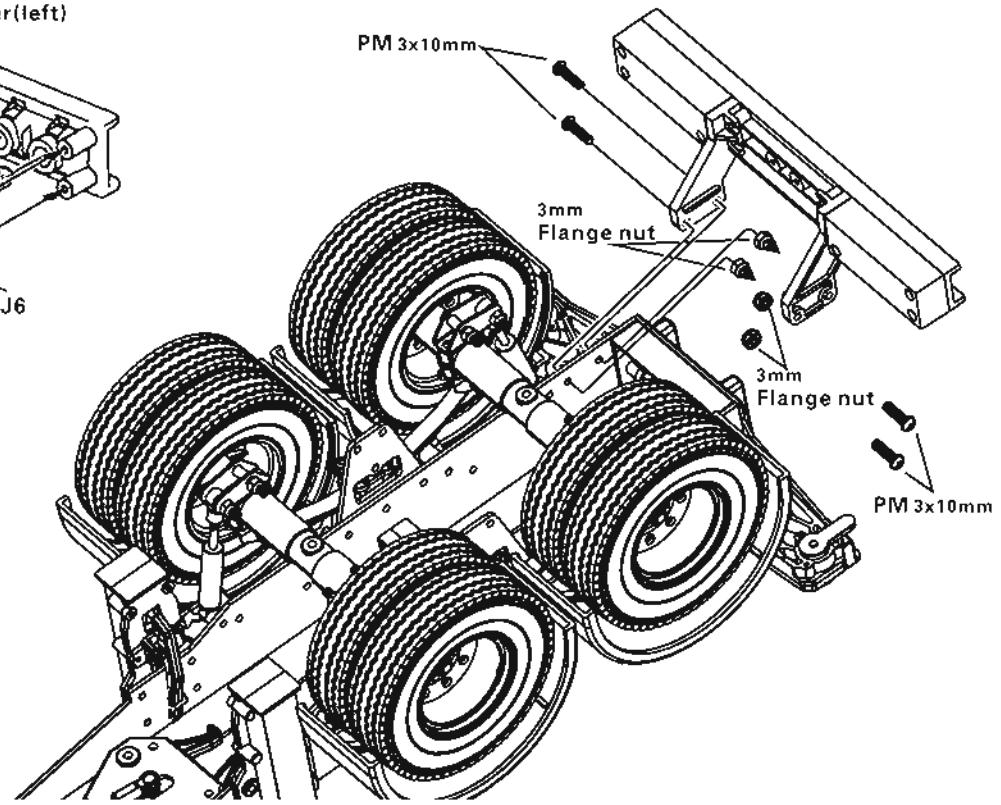
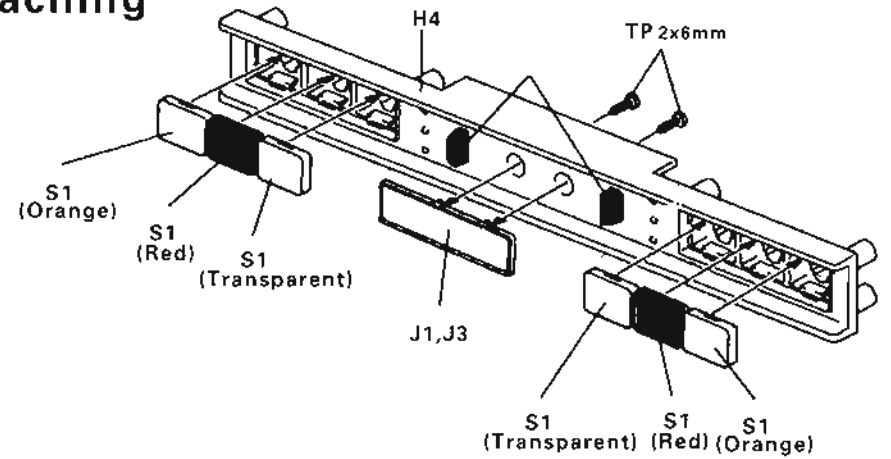
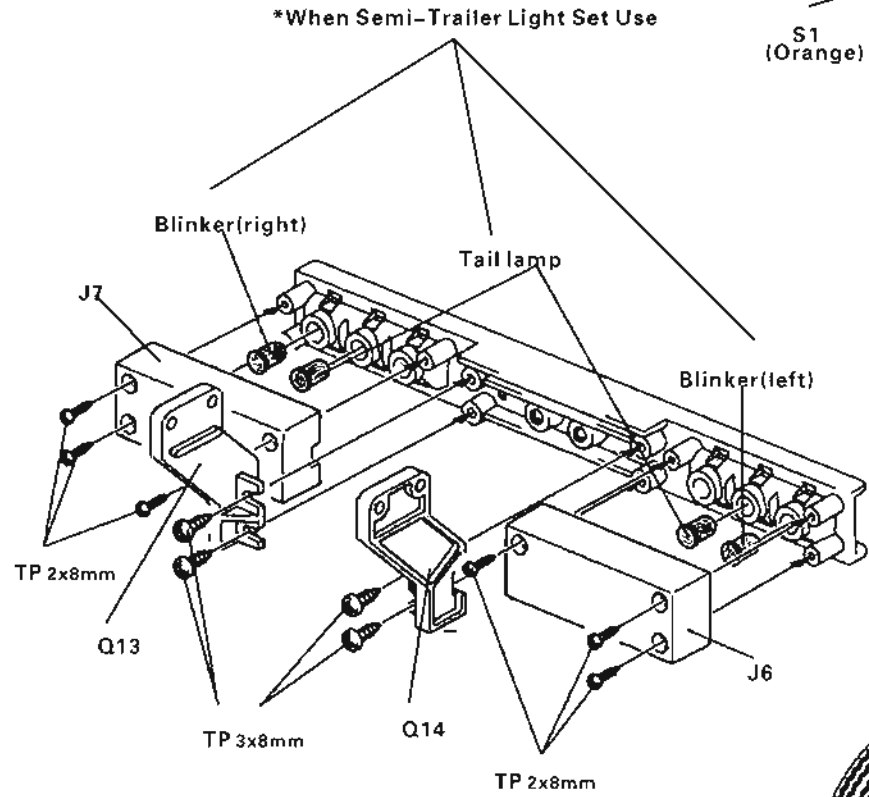
-  PM 3x12mm Screw x8
-  TM 3x25mm Screw x1
-  TM 3x23mm Screw x2
-  TM 3x18mm Screw x1
-  TM 3x8mm Screw x8
-  TP3x12mm Screw x1
-  TT 3x10mm Screw x2
-  x11 3mm Flange nut
-  x1 3mm Lock nut








14

14 Taillights Assembling and Attaching

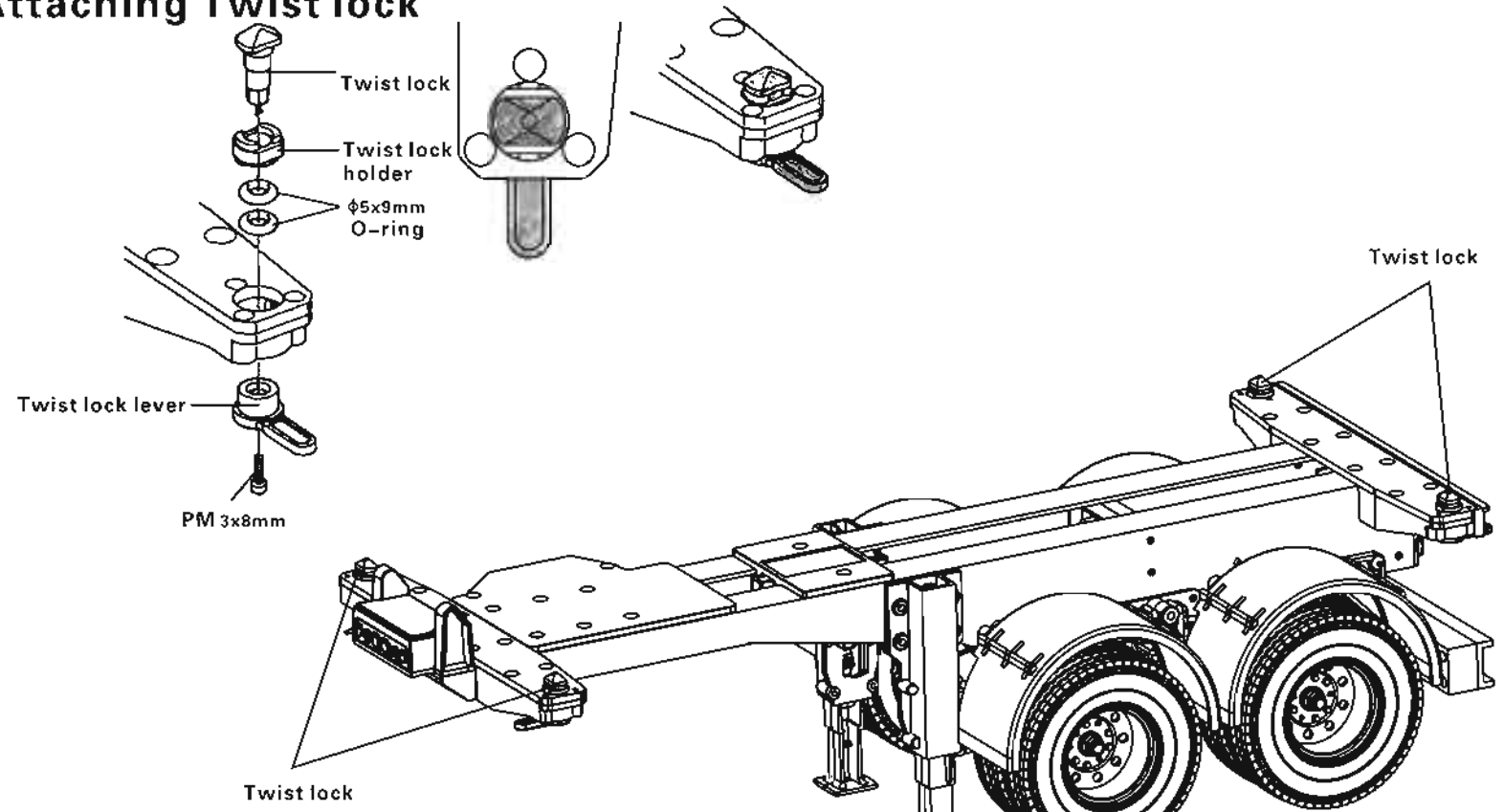
-  PM 3x10mm Screw
x4
-  TP 3x8mm Screw
x4
-  TP 2x8mm Screw
x6
-  TP 2x6mm Screw
x2
-  3mm Flange nut
x4



15

-  PM 3x8mm
Screw
x4
-  φ5x9mm
O-ring
x8
-  Twist lock
x4
-  Twist lock holder
x4
-  Twist lock lever
x4

15 Attaching Twist lock



Retractable support leg
 *Legs automatically retract
 when hitched up with separately
 sold tractor truck.

